

**Specification sheet**

**Model** C-BN140M0C

**Code** 801-642-50

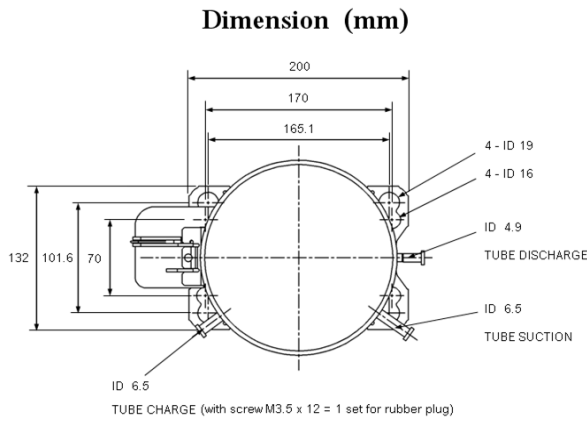


**Customer**

**Name** SHOEI CO.,LTD.

**Hermetic compressor NON-CFC**

100 V~ 50 / 60 Hz 1 Phase



**Performances data**

Cooling capacity ± 8 %	(Btu/h)	910.5	1111.7
	(Kcal/h)	229.6	280.4
	(W)	267.0	326.0
Input power ± 8 %	(W)	192.0	212.0
	(A)	3.35	2.95
Input current ± 8 %	(W/W)	1.39	1.54
	(Btu/h.W)	4.74	5.24
COP	(Kcal/h.W)	1.20	1.32
	(V)	85 max	
Starting V.(at 3 kg/cm <sup>2</sup> G)	(dB(A))	47 max	48 max
	(V)	100V/50Hz	100V/60Hz
Noise (Distance 30 cm)	(V)	85-110	
	(W)	85-110	
Power consumption	(V)	85-110	
	(W)	85-110	

**Test condition**

Evaporating temp.	(°C)	-6.7	(-20 °F)
Condensing temp.	(°C)	54.4	(130 °F)
Suction gas temp.	(°C)	35.0	(95 °F)
Liquid temp.	(°C)	46.1	(115 °F)
Ambient temp.	(°C)	35.0	(95 °F)

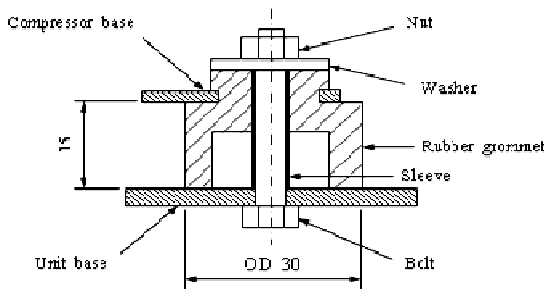
**Application**

Evaporating temp. range	(°C)	-15 ~ +10 (5 ~ 50 °F)
Refrigerant		HFC-134a
Compressor cooling		Fan cooling
Voltage range	(V)	85-110

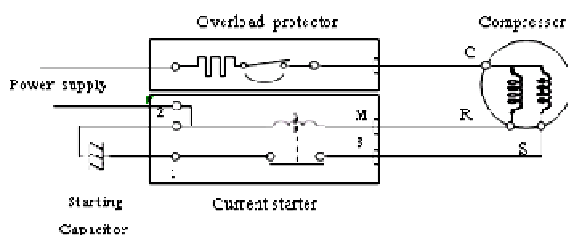
**Compressor and motor data**

Design		Reciprocating 1-Cylinder
Bore size ID	(mm)	21.0
Stroke	(mm)	15.0
Displacement	(cc/rev)	5.20
Oil charge (WR 20)	(cc)	280
Motor type		CSIR
Lock rotor amp	(A)	13.1 / 12.2
Winding resistance at 25 °C (77 °F)		
Main coil ± 5 %	(ohm)	2.628
Aux. coil ± 5 %	(ohm)	15.980
Revolution	(rpm / Hz)	2900 / 50    3500 / 60
Weight (No oil / with oil)	(kg)	6.3 / 6.5

**Mounting set fixing**



**Circuit diagram CSIR**



**Electrical parts**

Overload protector		External thermal over current type
Type		4TM 419RHBYY-53 (Sensata)
UT current / ST current	(A)	3.34 / 14.0
Current starter		MTRP46 15 (Electrica)
Pick up current max.	(A)	7.10
Drop out current min.	(A)	6.00
Starting capacitor	(µF / V)	100 / 160 (Digital tech)
Running capacitor	(µF / V)	-