

Specification sheet

Model C-BN120M0Z

Code 801-623-50



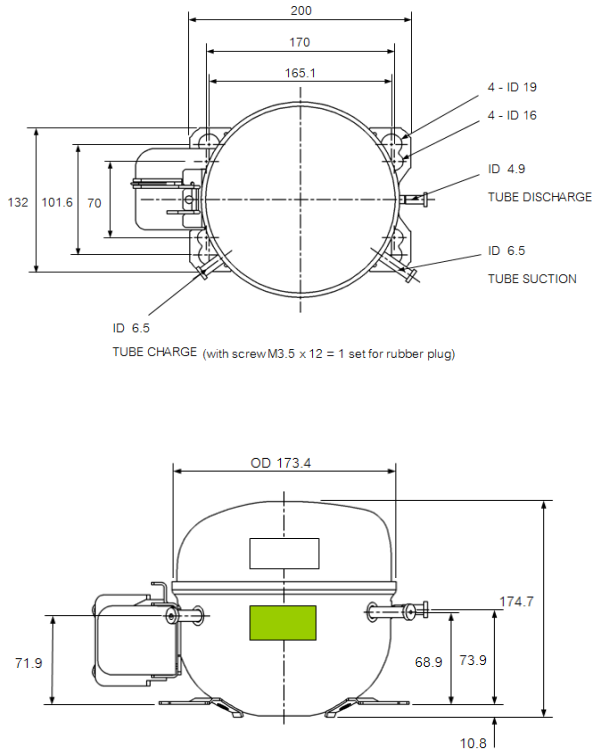
Customer

Name SHOEI CO.,LTD.

Hermetic compressor NON-CFC

100 V~ 50 / 60 Hz 1 Phase

Dimension (mm)



Performances data

Cooling capacity ± 8 %	(Btu/h)	678.6	842.3
	(Kcal/h)	171.1	212.4
	(W)	199.0	247.0
Input power ± 8 %	(W)	143.0	166.0
Input current ± 8 %	(A)	2.17	2.19
COP	(W/W)	1.39	1.49
EER	(Btu/h.W)	4.75	5.07
	(Kcal/h.W)	1.20	1.28
Starting V.(at 3 kg/cm ² G)	(V)	85 max	
Noise (Distance 30 cm)	dB(A)	46 max	50 max
Power consumption		100V/50Hz	100V/60Hz

Test condition

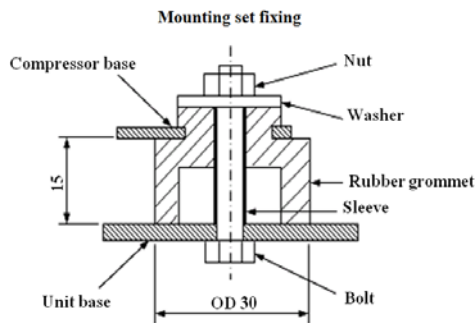
Evaporating temp.	(°C)	-6.7	(-20 °F)
Condensing temp.	(°C)	54.4	(130 °F)
Suction gas temp.	(°C)	35.0	(95 °F)
Liquid temp.	(°C)	46.1	(115 °F)
Ambient temp.	(°C)	35.0	(95 °F)

Application

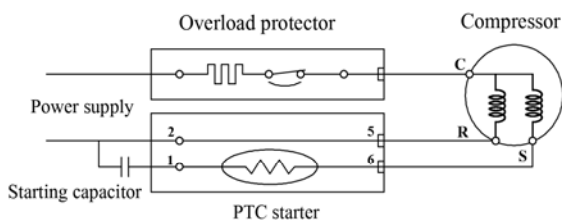
Evaporating temp. range	(°C)	-20 ~ 0	(-4 ~ 32 °F)
Refrigerant		HFC-134a	
Compressor cooling		Natural convection	
Voltage range	(V)	85-110	

Compressor and motor data

Design		Reciprocating 1-Cylinder	
Bore size ID	(mm)	21.0	
Stroke	(mm)	13.0	
Displacement	(cc/rev)	4.50	
Oil charge (Visc.22mm ² /s)	(cc)	280	
Motor type		PTC-CSIR	
Lock rotor amp	(A)	10.4	9.8
Winding resistance at 25 °C (77 °F)			
Main coil ± 5 %	(ohm)	2.994	
Aux. coil ± 5 %	(ohm)	15.68	
Revolution	(rpm / Hz)	2900 / 50	3500 / 60
Weight (No oil / with oil)	(kg)	7.2 / 7.4	



Circuit diagram PTC-CSIR



Electrical parts

Overload protector		External thermal over current type	
Type		4TM 414RHBYY-53 (Sensata)	
UT current / ST current	(A)	3.13 / 13.30	
PTC starter		P3R9MA22SS-HM (JY)	
Resistance at 25 °C	(Ohm)	3.9 ± 20 %	
Max voltage	(V)	160	
Max current	(A)	12	
Power consump. at 25 °C	(W)	3.0 max (180V)	
Starting capacitor	(µF / V)	75 / 160	
Running capacitor	(µF / V)	-	