

Specification sheet

Model C-BN110M0C

Code 801-612-50

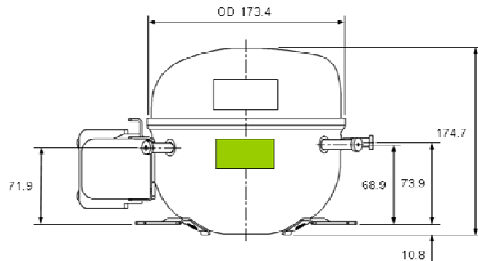
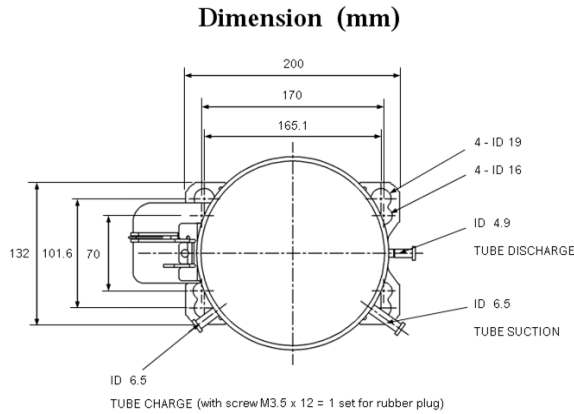


Customer

Name SHOEI CO.,LTD.

Hermetic compressor NON-CFC

100 V~ 50 / 60 Hz 1 Phase



Performances data

Cooling capacity $\pm 8\%$ (Btu/h) 692.2 804.8
 $\pm 8\%$ (Kcal/h) 174.6 203.0
 $\pm 8\%$ (W) 203.0 236.0

Input power $\pm 8\%$ (W) 148.0 162.0
 Input current $\pm 8\%$ (A) 2.22 2.37

COP (W/W) 1.37 1.46
 EER (Btu/h.W) 4.68 4.97
 (Kcal/h.W) 1.18 1.25

Starting V.(at 3 kg/cm² G) (V) 85 max
 Noise (Distance 30 cm) (dB(A)) 49 max 52 max

Power consumption

	100V/50Hz	100V/60Hz
Starting V.(at 3 kg/cm ² G)	85 max	
Noise (Distance 30 cm)	49 max	52 max

Test condition

Evaporating temp. (°C) -6.7 (-20 °F)
 Condensing temp. (°C) 54.4 (130 °F)
 Suction gas temp. (°C) 35.0 (95 °F)
 Liquid temp. (°C) 46.1 (115 °F)
 Ambient temp. (°C) 35.0 (95 °F)

Application

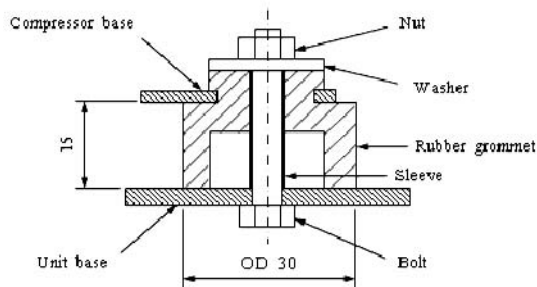
Evaporating temp. range (°C) -15 ~ +10 (5 ~ 50 °F)
 Refrigerant HFC-134a
 Compressor cooling Fan cooling
 Voltage range (V) 85-110

MBP (Medium back pressure)

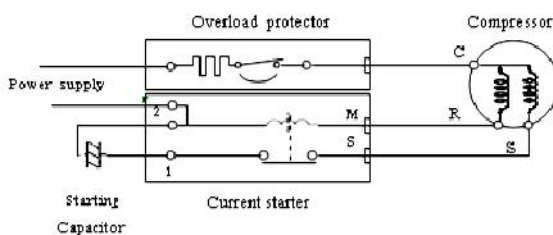
Compressor and motor data

Design Reciprocating 1-Cylinder
 Bore size ID (mm) 21.0
 Stroke (mm) 12.0
 Displacement (cc/rev) 4.16
 Oil charge (Visc.20 mm²/s) (cc) 280 with oil
 Motor type CSIR
 Lock rotor amp (A) 12.1 11.1
 Winding resistance at 25 °C (77 °F)
 Main coil $\pm 5\%$ (ohm) 2.842
 Aux. coil $\pm 5\%$ (ohm) 21.90
 Revolution (rpm / Hz) 2900 / 50 3500 / 60
 Weight (No oil / with oil) (kg) 6.1 / 6.3

Mounting set fixing



Circuit diagram CSIR



Electrical parts

Overload protector External thermal over current type
 Type 5TM 419RHBYY-53 (Sensata) Δ ₁
 UT current / ST current (A) 3.34 / 14.0
 Current starter MTRP44 15 (Electrica)
 Pick up current max. (A) 6.40
 Drop out current min. (A) 5.45
 Starting capacitor (μF / V) 75 / 125 (Digital tech)
 Running capacitor (μF / V) -